

Features

- Minimum base cabinet width: 36"–39" (36" may require cabinet modifications)
- Single bowl
- 9" (229 mm) depth provides generous workspace
- The increased dimensions of this sink maximize the basin space in a 36" base cabinet
- Rear drain increases workspace in the sink and allows for more storage space underneath the sink
- Rounded 0.39" (10mm) corners are easy to clean
- Sink drain with strainer sold separately

Material

- Premium 16-gauge stainless steel

Installation

- Undermount

Recommended Products/Accessories

- K-6667 Wood Cutting Board
- K-8799 Sink drain and strainer basket
- K-23726 Drain treatment
- K-23729 Stainless steel cleaner
- K-8801 Sink drain and strainer with tailpiece

Optional Products/Accessories

- K-11352 Disposal Flange with Stopper

Included Components

- K-5411 Sink rack for Strive® kitchen sink
- K-6429 Utility Rack

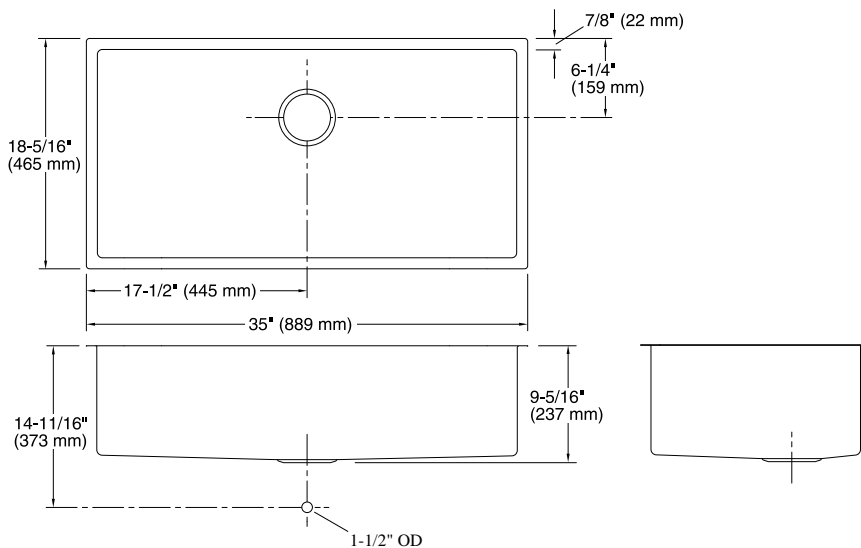


Codes/Standards

ASME A112.19.3/CSA B45.4
IAPMO Certification

KOHLER® Stainless Steel Sinks Lifetime Limited Warranty

See website for detailed warranty information.



Technical Information

All product dimensions are nominal.

Bowl configuration: Single

Min. base cabinet width: 39" (991 mm)

Bowl area (Only):
 Length: 33-1/4" (845 mm)
 Width: 16-9/16" (420 mm)
 Bowl depth: 9" (229 mm)
 Water depth: 9" (229 mm)

Drain hole: 3-3/4" (94 mm)

Template: 1220867-7, required, included

Notes

Install this product according to the installation instructions.

Minimum base cabinet width 36" - 39" (36" may require cabinet modifications). Consult an installer for confirmation.