



Cape Dory®

33" undermount single-bowl kitchen sink

K-5864-5U

Features

- 36" minimum base cabinet width
- Single bowl
- 9" (229 mm) depth provides generous workspace
- Oversized holes allow for easy installation of faucets and accessories
- Five oversized faucet holes
- Sink drain with strainer sold separately

Material

- KOHLER® enameled cast iron
- Acid-resistant enamel finish

Installation

- Undermount

Recommended Products/Accessories

- K-6063 Sink Rack
- K-8801 Sink drain and strainer with tailpiece
- K-8799 Sink drain and strainer basket
- K-6637 Cutting Board
- K-23726 Drain treatment
- K-23725 Cast iron cleaner
- 1411886 Undermount sink kit 23"

Optional Products/Accessories

- K-11352 Disposal Flange with Stopper
- K-9000 P-Trap



Codes/Standards




ASME A112.19.1/CSA B45.2
IAPMO Certification

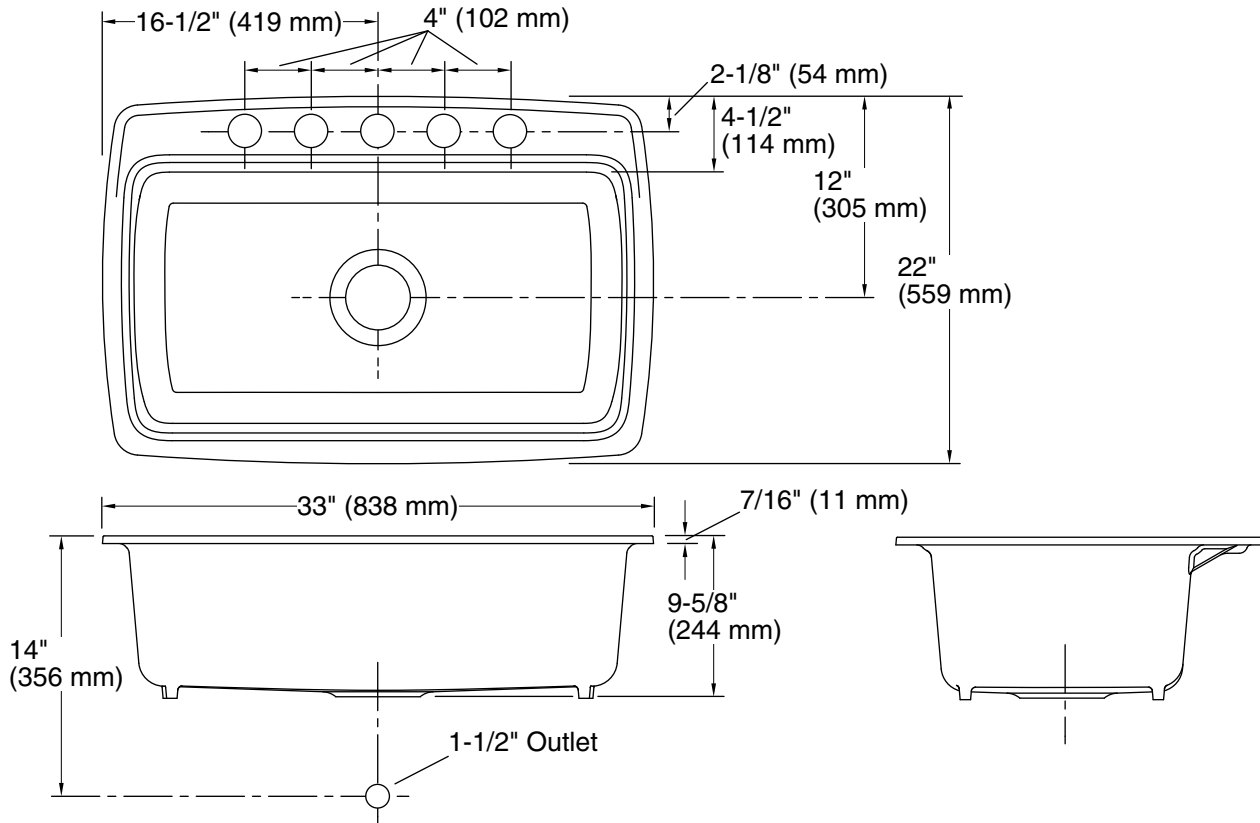
KOHLER® Enameled Cast Iron Kitchen and Bathroom Sink Lifetime Limited Warranty

See website for detailed warranty information.

Available Colors/Finishes

Color tiles intended for reference only.

Color	Code	Description
	0	White
	96	Biscuit
	7	Black Black™



Technical Information

All product dimensions are nominal.

- Bowl configuration: Single
- Min. base cabinet width: 36" (914 mm)
- Bowl area (Only): Length: 29" (737 mm)
 Width: 15" (381 mm)
 Bowl depth: 9" (229 mm)
- Number of deck holes: 5
- Faucet hole(s): 2-3/8" (60 mm)
- Drain hole: 3-5/8" (92 mm)
- Template: Under-mount, 1034873-7, required, included

Notes

Install this product according to the installation instructions.

Faucet holes in under-mount fixture are oversized at \tilde{A} 2-3/8" (60 mm). Drill faucet holes in counter according to fitting roughing-in.