

MSI STAINLESS STEEL SINKS

DOUBLE BOWL 60/40 - 3120S



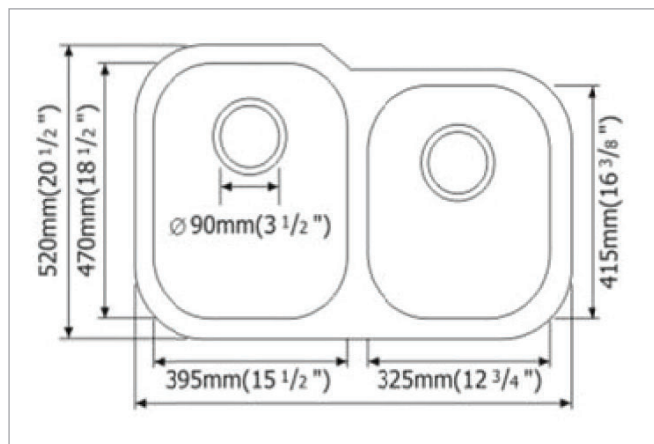
SIN-18-DBLBWL-6040-3120S

This classic double bowl undermount sink is constructed with 18-gauge thickness stainless steel for reliable durability.

With one large and one smaller basin (60/40)—and sound shielding pads—it's not only elegant but practical too. An ideal choice for busy homes and light commercial environments, this easy to clean sink offers a beautiful brushed satin finish that helps minimize small scratches for enduring beauty.

Long lasting quality and elegance come together in this popular double bowl stainless steel sink designed to complement a wide range of kitchen styles. Backed by a limited lifetime warranty with **Strainer included and stainless-steel grid available as an option.**

DRAWING:



SPECS

Overall Size: **31½" x 20½"**

Bowl Size 1: **15½" x 18½"**

Bowl Size 2: **12¾" x 16¾"**

Thickness: **18G**

Depth: **9" / 7½"**

Drain Opening: **3½"**

Installation: **Undermount**

Finish: **Satin Brushed**

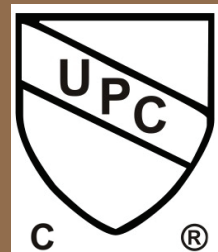
Stainless Steel Grade: **304**

Minimum Cabinet Size: **35"**

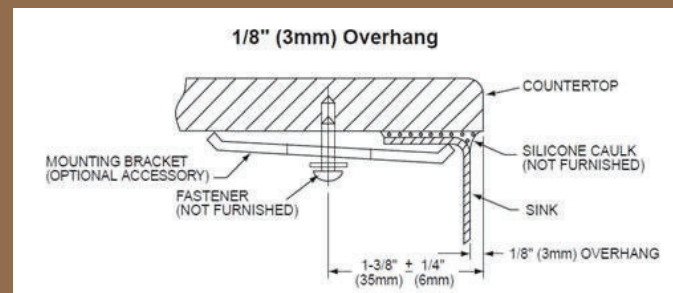
Matching Grid: **SIN-18-GRID-4060-3120S ***

* Available to buy separately.

Sound dampening pad with undercoating



These sinks are listed by the International Association of Plumbing and Mechanical Officials as meeting the requirements of the Uniform Plumbing Code.



Electronic Template Mounting Option
(Download DXF File from www.msisurfaces.com)

NOTE: THIS UNDERMOUNT SINK IS DESIGNED TO MOUNT TO SOLID SURFACE (NON-LAMINATE) COUNTERTOP ONLY.

MSI

Making Dream Surfaces Attainable

2095 N. Batavia St Orange, CA 92865
Phone: (714) 685-7500 | Fax: (714) 685-7600

www.msisurfaces.com

