

MSI STAINLESS STEEL SINKS

SINGLE BOWL 2321



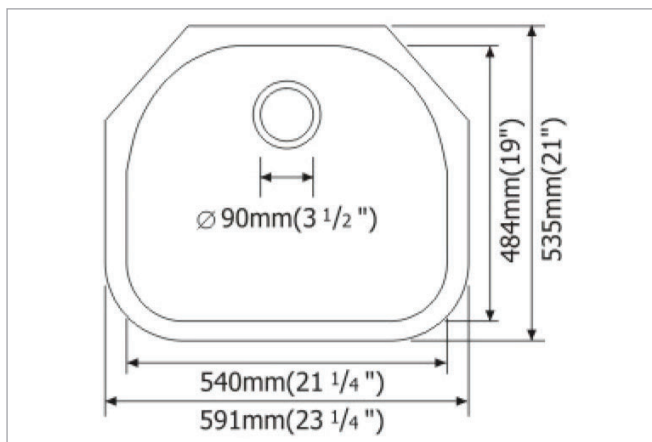
SIN-18-SINBWL-2321

This single bowl 18-gauge stainless steel undermount sink with rounded corners is the perfect choice for islands, bar areas, laundries, and outdoor kitchens.

Sized to fit in nearly any space, its generous 8" deep basin is purposefully practical.

With sound shielding pads that make for a quiet washing experience to a beautiful brushed satin finish that minimizes water spots and small scratches, this sink works overtime to bring you years of satisfaction. Strainer included and stainless-steel grid available. **Strainer included and stainless-steel grid available as an option.**

DRAWING:



SPECS

Overall Size: 23¼" x 21"

Bowl Size: 21¾" x 19"

Thickness: 18G

Depth: 8"

Drain Opening: 3½"

Installation: Undermount

Finish: Satin Brushed

Stainless Steel Grade: 304

Minimum Cabinet Size: 27"

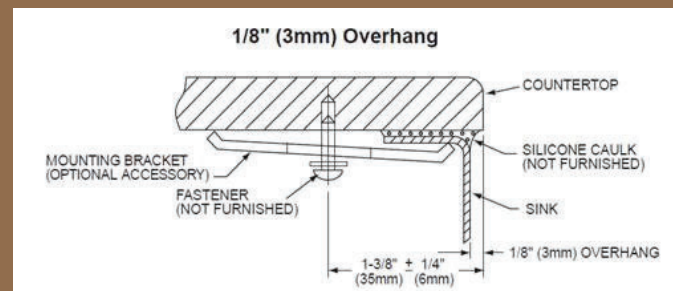
Matching Grid: SIN-18-GRID-2321 *

* Available to buy separately.

Sound dampening pad with undercoating



These sinks are listed by the International Association of Plumbing and Mechanical Officials as meeting the requirements of the Uniform Plumbing Code.



Electronic Template Mounting Option
(Download DXF File from www.msisurfaces.com)

NOTE: THIS UNDERMOUNT SINK IS DESIGNED TO MOUNT TO SOLID SURFACE (NON-LAMINATE) COUNTERTOP ONLY.

MSI

Making Dream Surfaces Attainable

2095 N. Batavia St Orange, CA 92865
Phone: (714) 685-7500 | Fax: (714) 685-7600

www.msisurfaces.com

